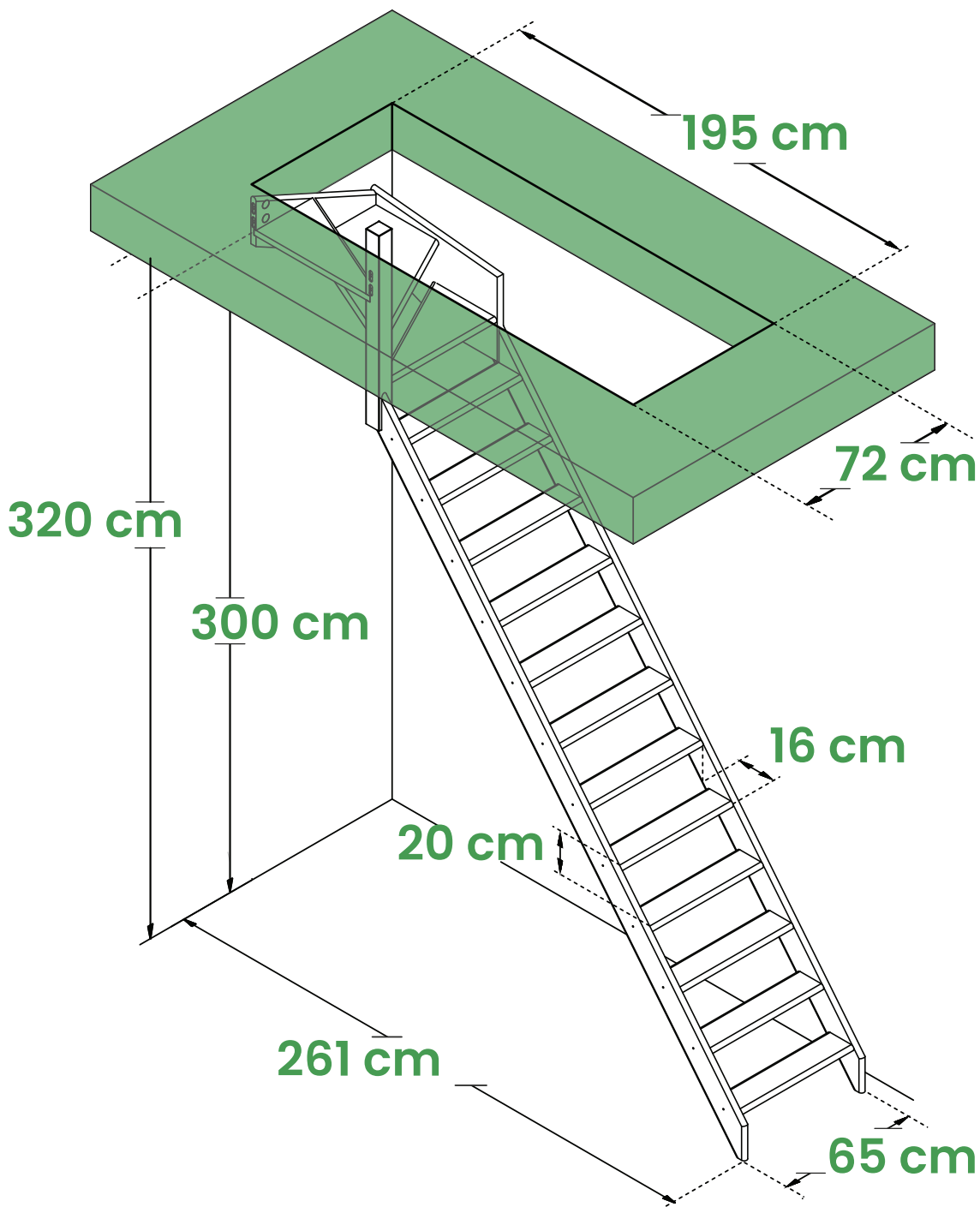
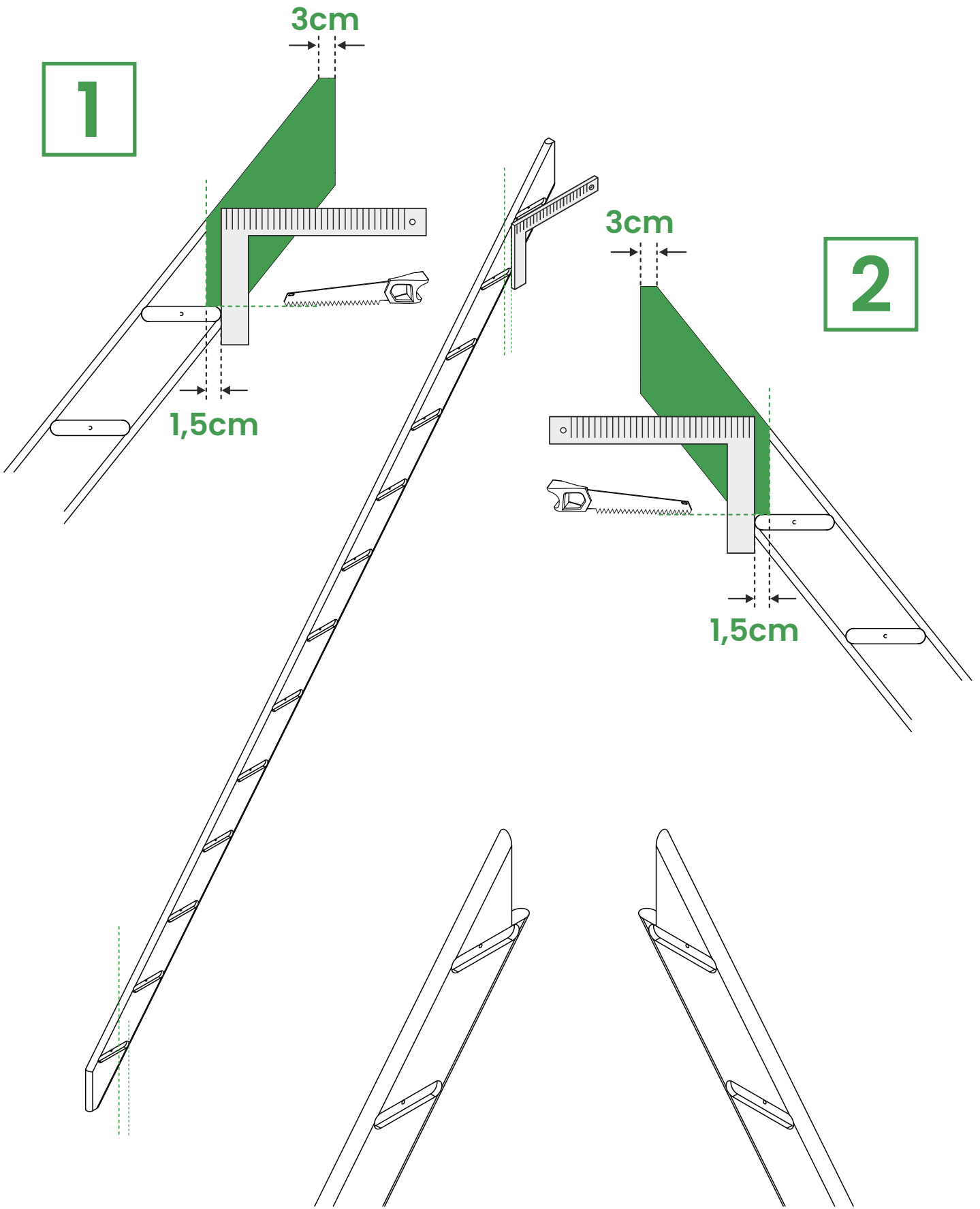
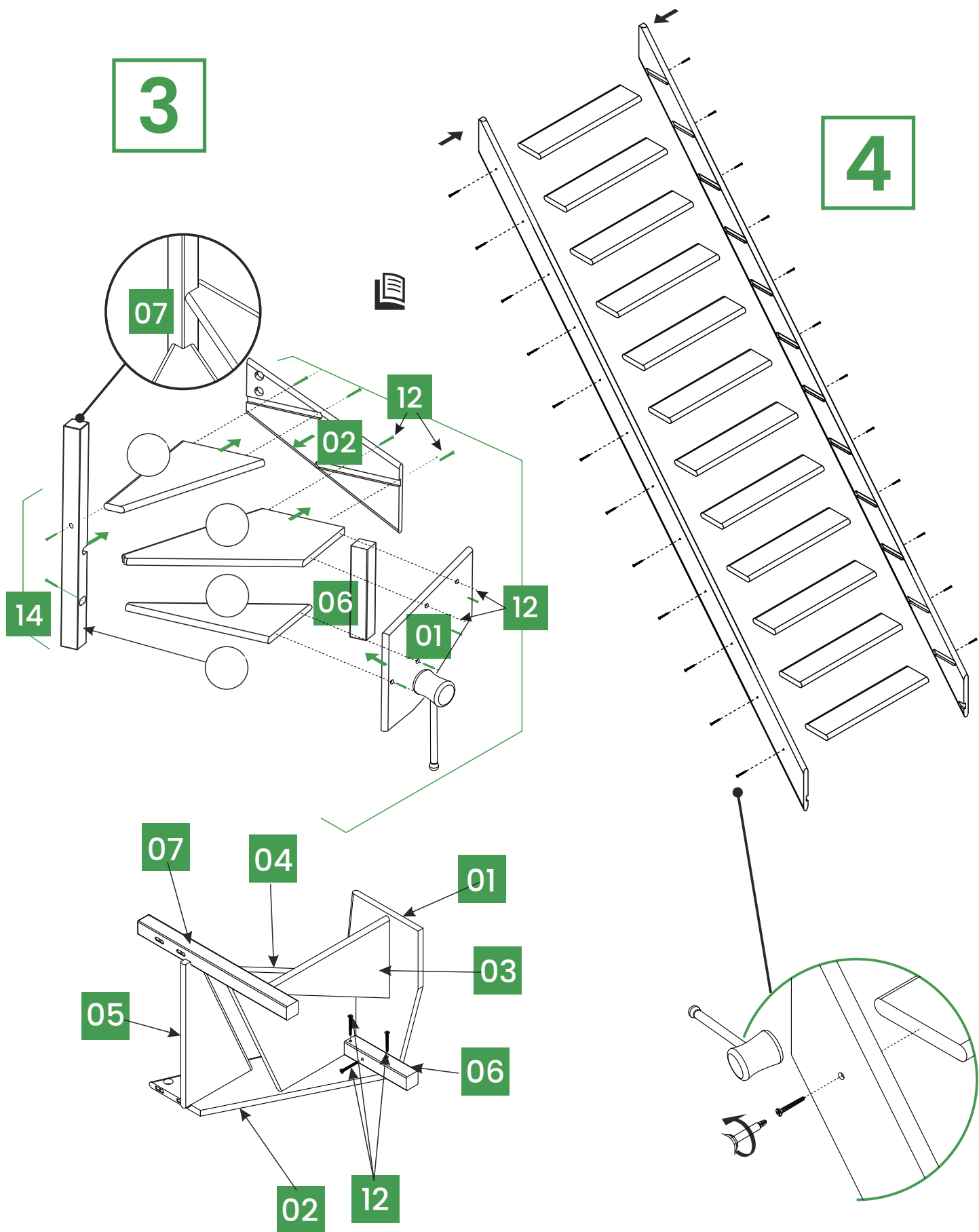


Instruction Manual

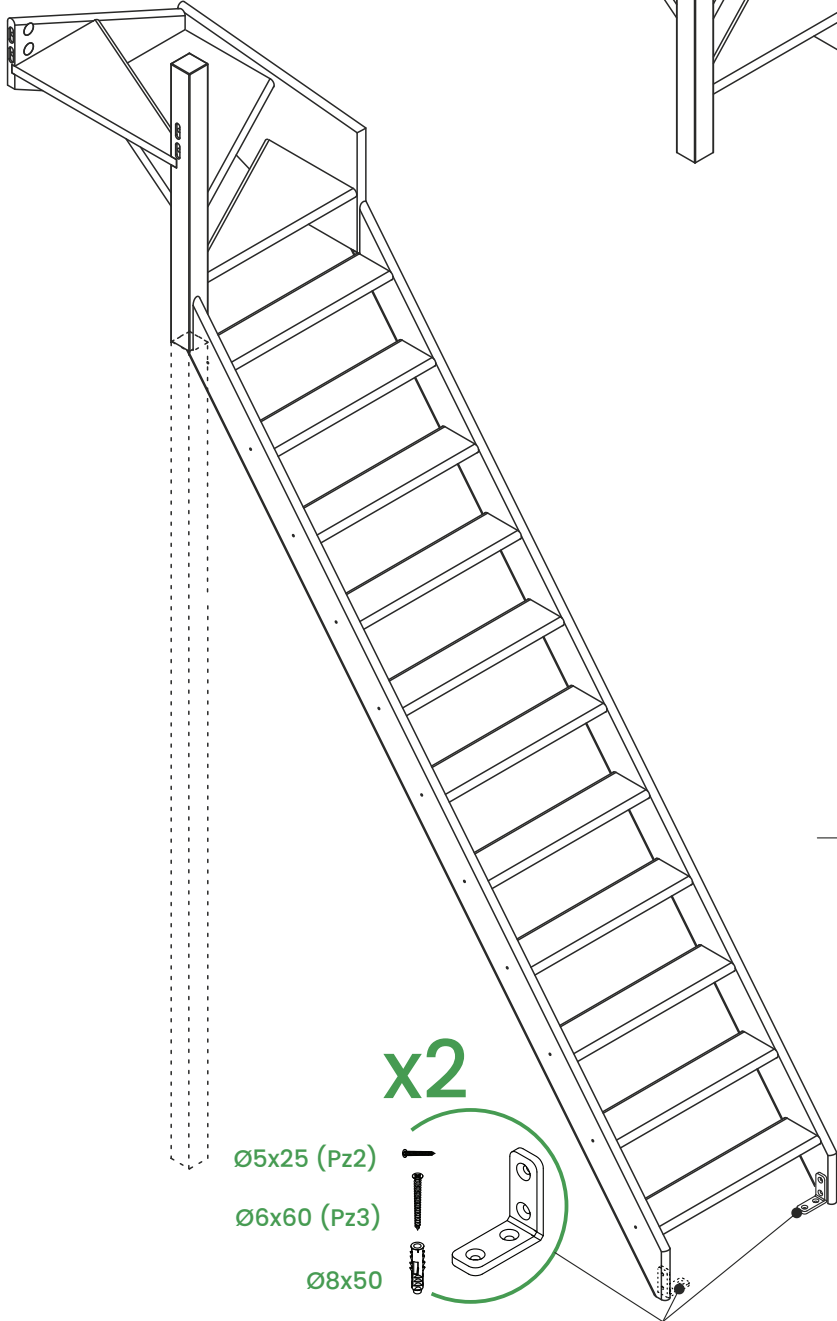
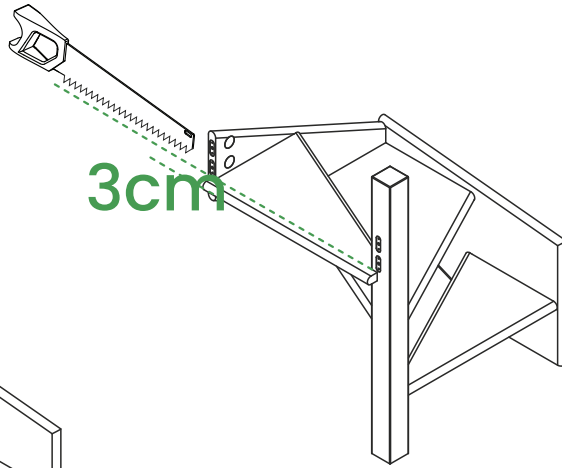
Space- saving Miller's stairs with winder MGS65 | Width 65cm | Height 320 cm



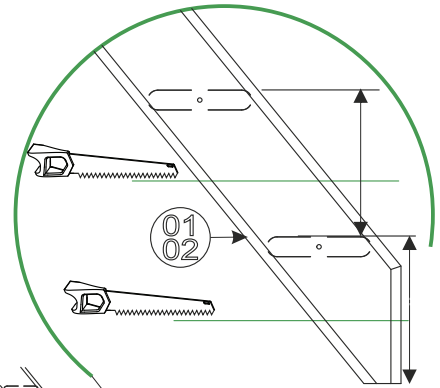




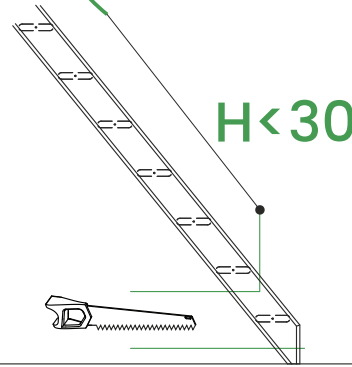
5



-0,3h: -1,5h



H < 300 cm

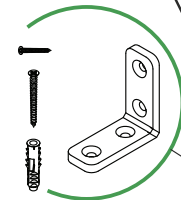


x2

Ø5x25 (Pz2)

Ø6x60 (Pz3)

Ø8x50



CONTACT US
FOR MORE INFO



SHOP.HANDYSTAIRS.NL

+31 85 130 8770

CHAMBER OF
COMMERCE NUMBER:
82211108

VAT: NL863710918.B02